

Boiler Valves - Uni-tandem & Duplex

5000 Series

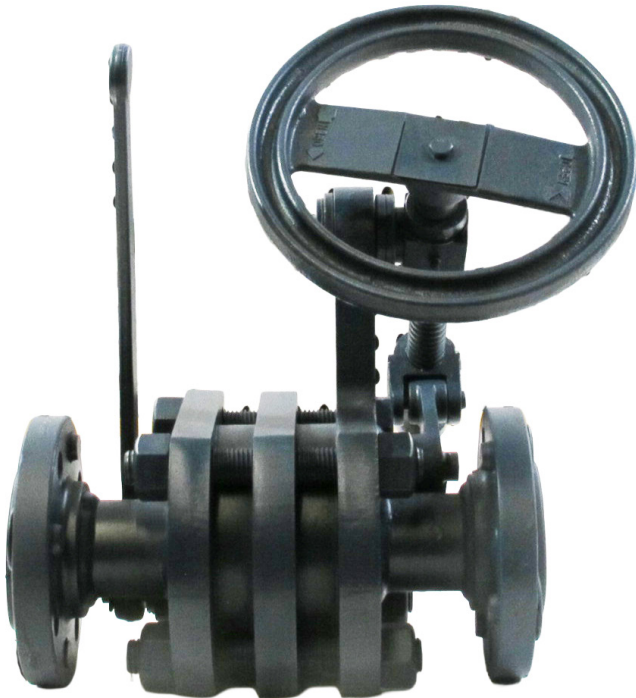


Figure 5061R Shown

Features

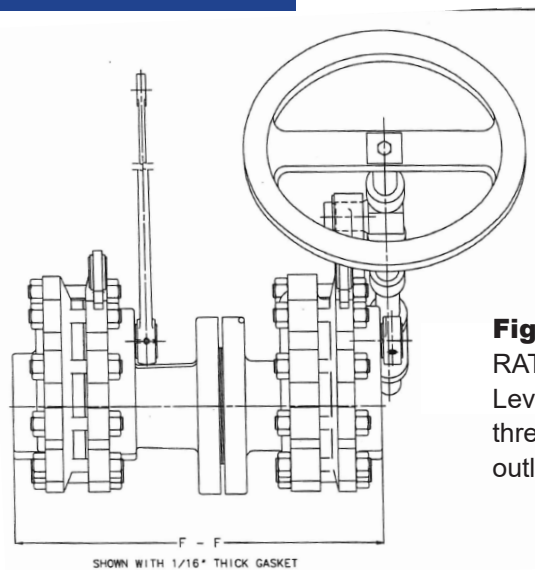
Boiler Blow-down Valve Specification Range:

- **Sizes:** 1½" through 2 1/2"
- **Pressure Class:** ASME/ANSI Class 250, 300
- **Body Materials:** Cast Iron or Carbon Steel
- **End Connections:** Flanged, threaded
- **Operators:** Lever and/or Hand-wheel
- **Flow Configuration:** Straight-through flow design
- **Sealing Design:** Self-lapping seal disc that improves sealing performance with continued operation
- **Anti-Fouling Feature:** Self-wiping disc prevents hang-up from boiler scale or debris

Dimensional Data - Duplex Valves

Valve Size	Face to Face
2"	13 1/2"
2 1/2"	15 5/8"

Fig. 4000/1A:
RATING 300 LB.
Lever operated valve;
threaded inlet / flanged
outlet



SHOWN WITH 1/16" THICK GASKET

Fig. 4061/0A
RATING 250 LB.
Lever operated valve;
threaded inlet / flanged
outlet



Boiler Valves - Uni-tandem & Duplex

5000 Series

Dimensional Data - Uni-Tandem Valves

STANDARD BOILER VALVE Q/SL FLANGED END 5061L

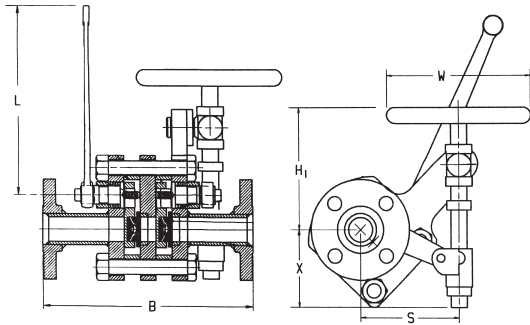


Fig. 5061L: RATING 300 LB.

Figure	Dimensions					
5061L	B	HI	L	S	W	X
1 1/2	12 1/2	5 1/2	12 1/5	5	9	4 1/8
2	12	8 1/2	18	5	9	4 1/8

STANDARD BOILER VALVE Q/SL FLANGED END 5061R

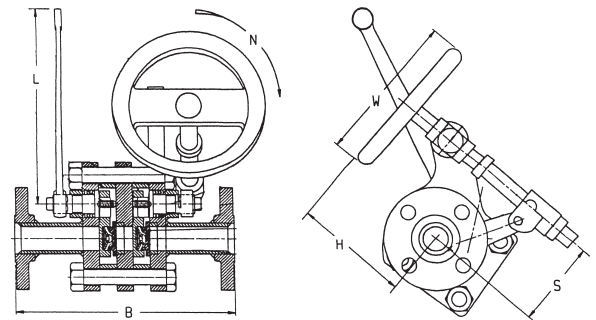


Fig. 5061R: RATING 300 LB.

Figure	Dimensions					
5061R	B	H	L	N	S	W
1 1/2	11 1/2	6 1/2	12 1/2	10 1/2	5	9
2	12	7	18	13	5	9



How figure 5000 series operate

A combination of quick and slow opening Valves in one body operates the same as figure 4000 series described on quick and slow opening valve pages. The lever operated section is used as the sealing valve and the hand-wheel operated section is the blowing Valve. The blowing Valve can be removed for repair while the sealing Valve remains in service (Fire Banked). All Valve bodies are made of carbon steel and are easy to operate at maximum blow-off pressure.

Ordering Information

Ordering No.	ANSI VALVE CLASS	Max. Blow-Off Pressure, ASME Code	Description	Pipe Size	Weight (lbs)
5061R-1.50	300 lb.	490 psi	Uni-Tandem Valve, Class 300, Steel, Quick-Slow Function	1 1/2"	70
5061R-2.00	300 lb.	490 psi	Uni-Tandem Valve, Class 300, Steel, Quick-Slow Function	2"	76
5061L-1.50	300 lb.	490 psi	Uni-Tandem Valve, Class 300, Steel, Quick-Slow Function	1 1/2"	70
5061L-2.00	300 lb.	490 psi	Uni-Tandem Valve, Class 300, Steel, Quick-Slow Function	2"	78
4000/1A-2.00	250 lb.	200 psi	Duplex Valve, Class 250, Iron, Threaded	2"	35
4000/1A-2.50	250 lb.	200 psi	Duplex Valve, Class 250, Iron, Threaded	2 1/2"	58
4061/0A-2.00	250 lb.	200 psi	Duplex Valve, Class 250, Iron, Threaded	2"	50
4061/0A-2.50	250Lb.	200 psi	Duplex Valve, Class 250, Iron, Threaded	2 1/2"	65